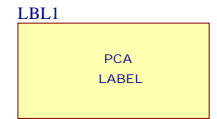
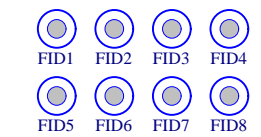
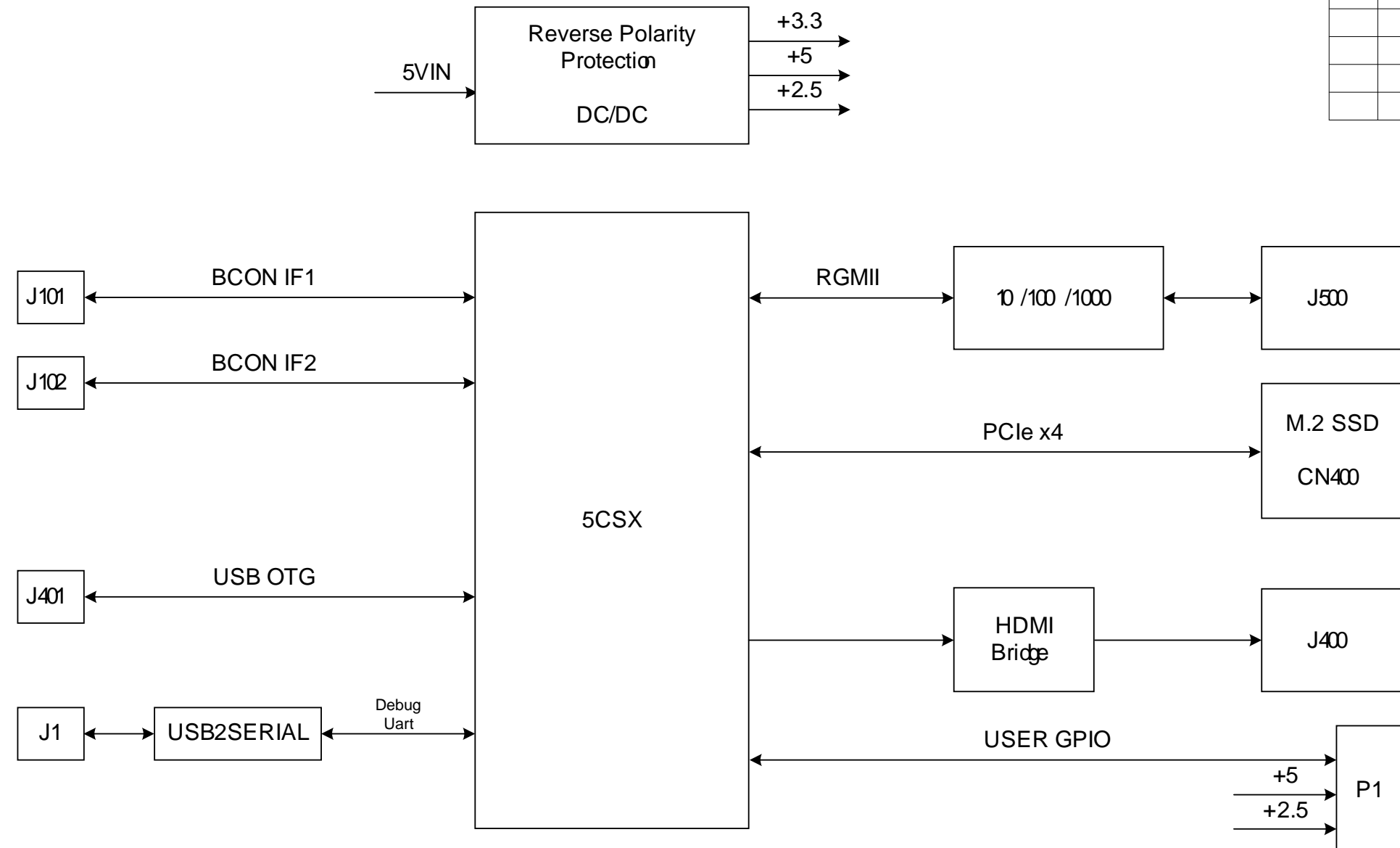


REV	DESCRIPTION	ECR No	INITIALS	DATE
1A	Initial Design Release	1433	AKS	06/22/2017
1B	MOD Kit to address initial release issues	1465	KZ	08/10/2017
1C	Updated CN400 PN, add PEMs, correct power switch, USB OTG and USB to Serial logic, adjust 2.5V	1480	AKS	09/06/2017



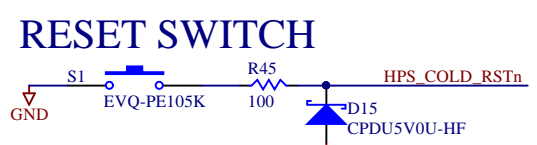
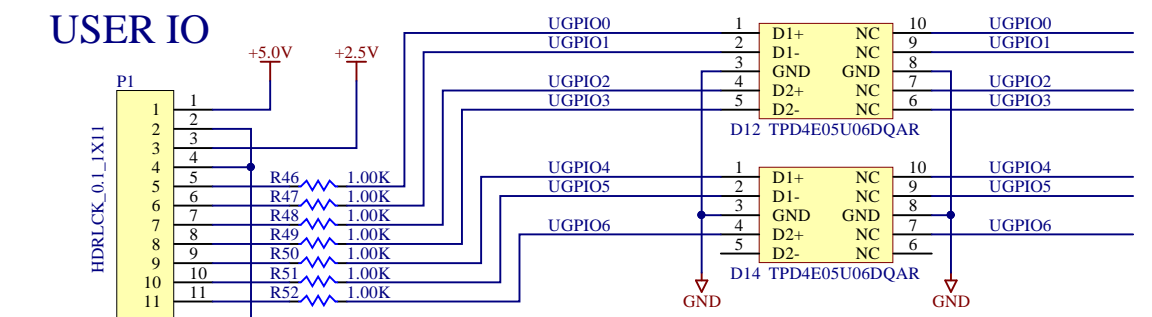
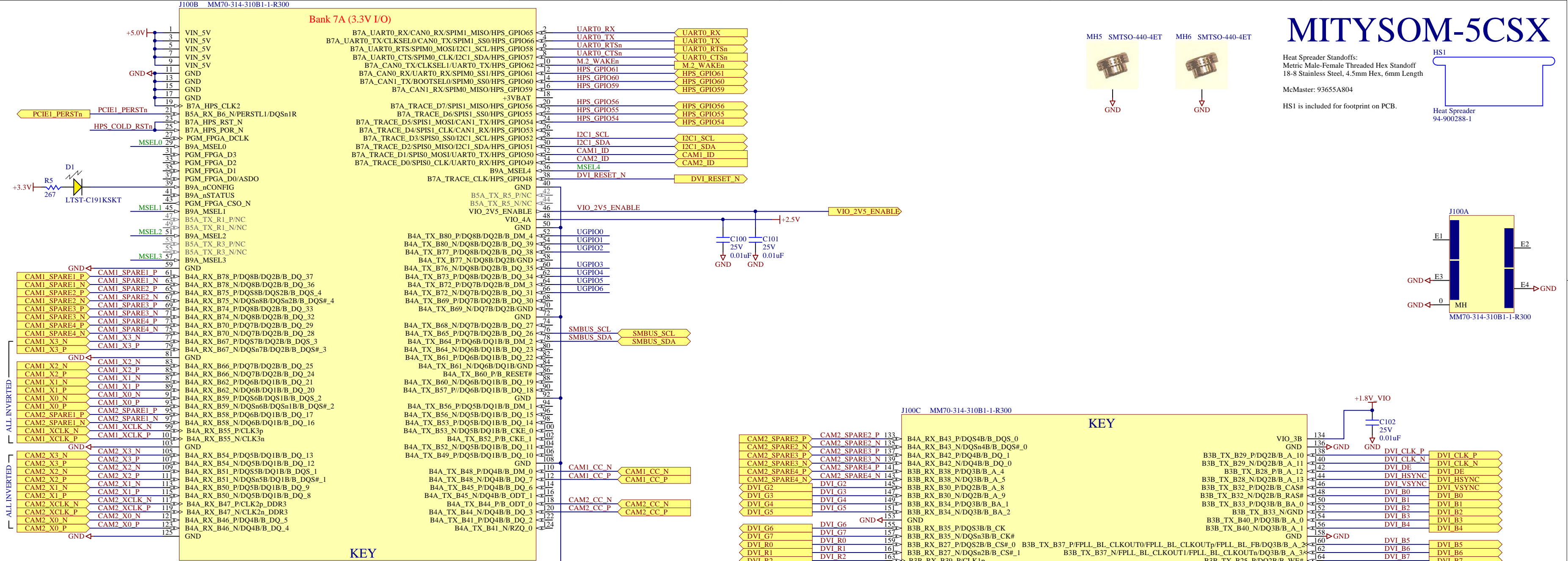
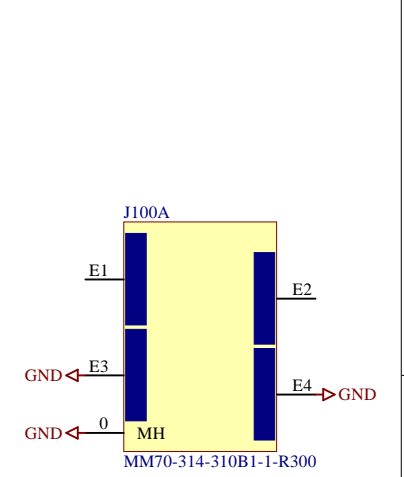
PCA Label
80-001038RC-1_RevC

PCB # 90-000344R-2_RevA
PN-PCB1

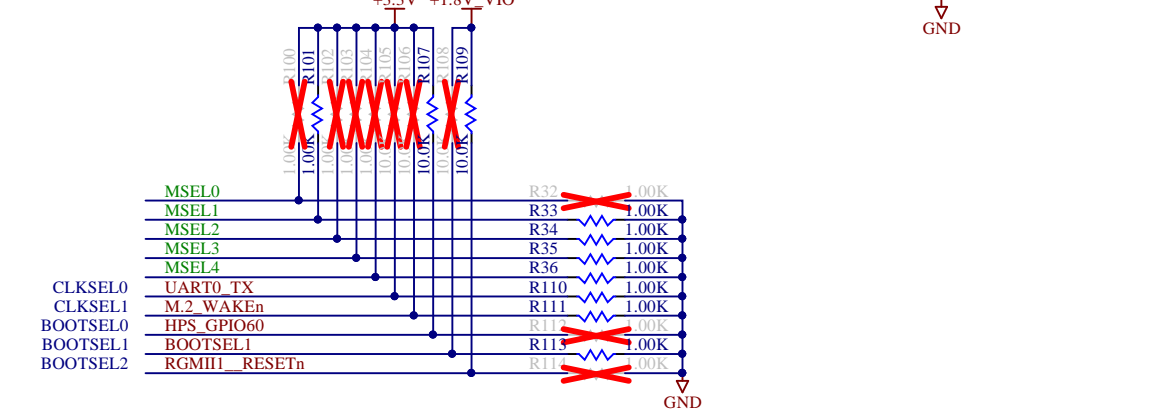
Title: PCA, Embedded VDK, Basler BCON		Critical Link, LLC 6712 Brooklawn Parkway Syracuse, NY 13211 315.425.4045 www.criticallink.com		
Size: B	Number: 80-001038RC-1	Revision: C		
Date: 9/7/2017	Time: 4:02:26 PM	Sheet 1 of 8		
SVN: 3312	File: Block_Diagram.SchDoc			

MITYSOM-5CSX

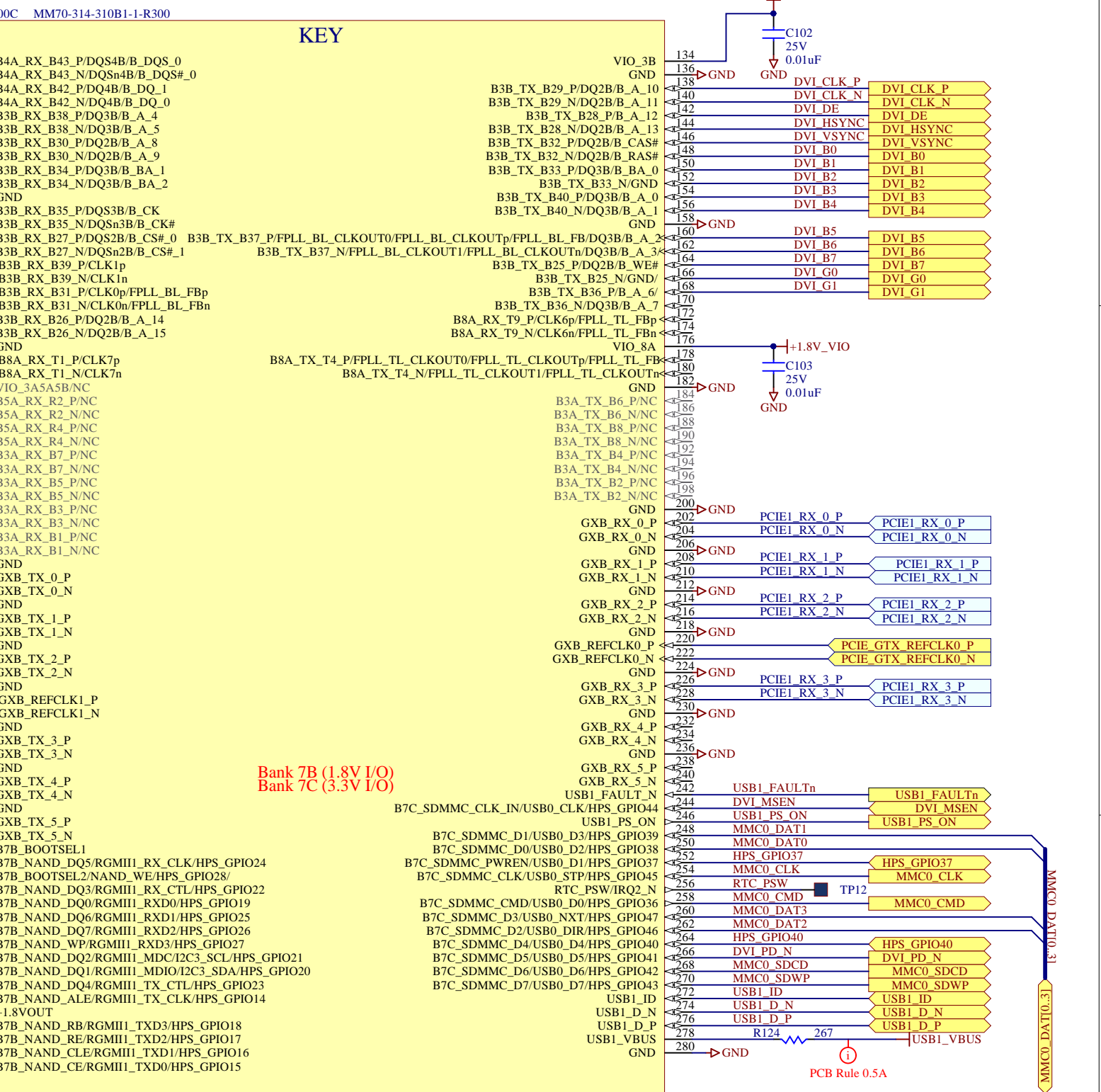
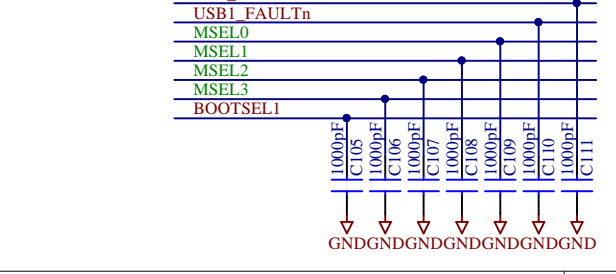
Heat Spreader Standoffs:
Metric Male-Female Threaded Hex Standoff
18-8 Stainless Steel, 4.5mm Hex, 6mm Length
McMaster: 93655A804
HS1 is included for footprint on PCB.
Heat Spreader
94-900288-1



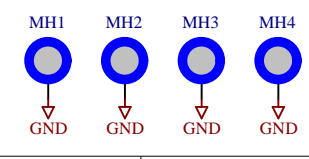
Configuration



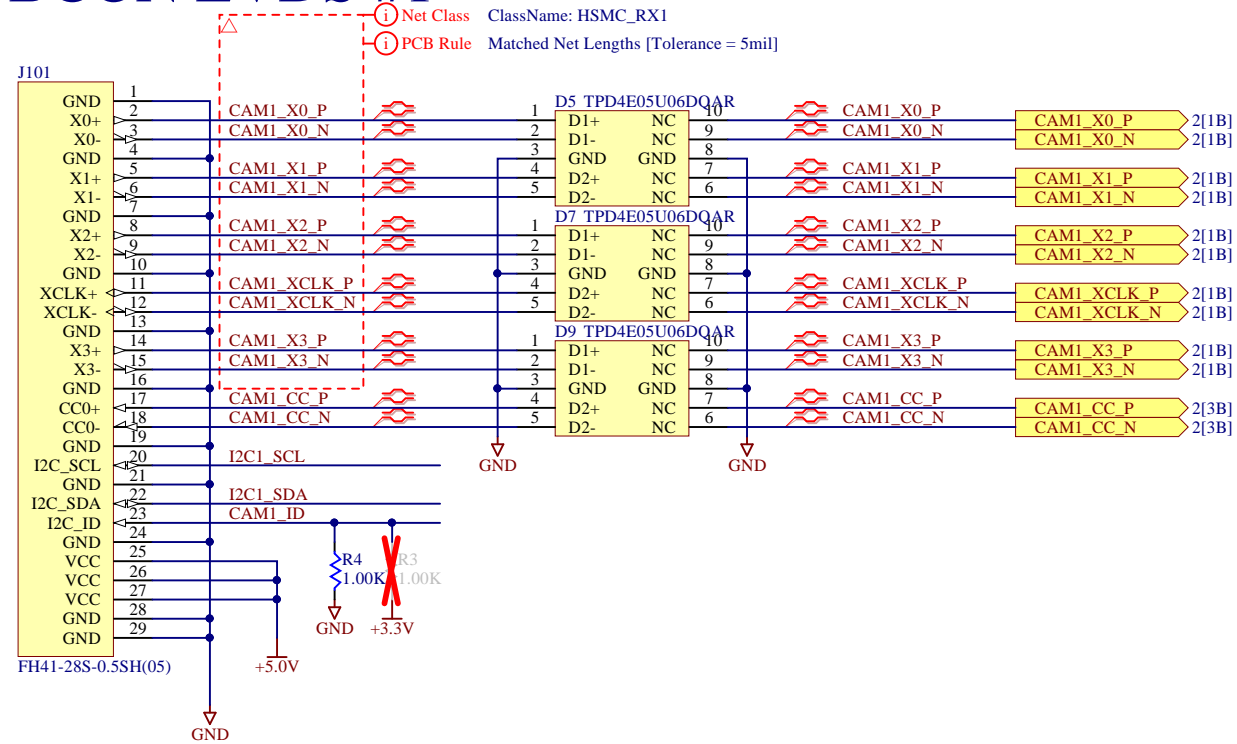
Return Current



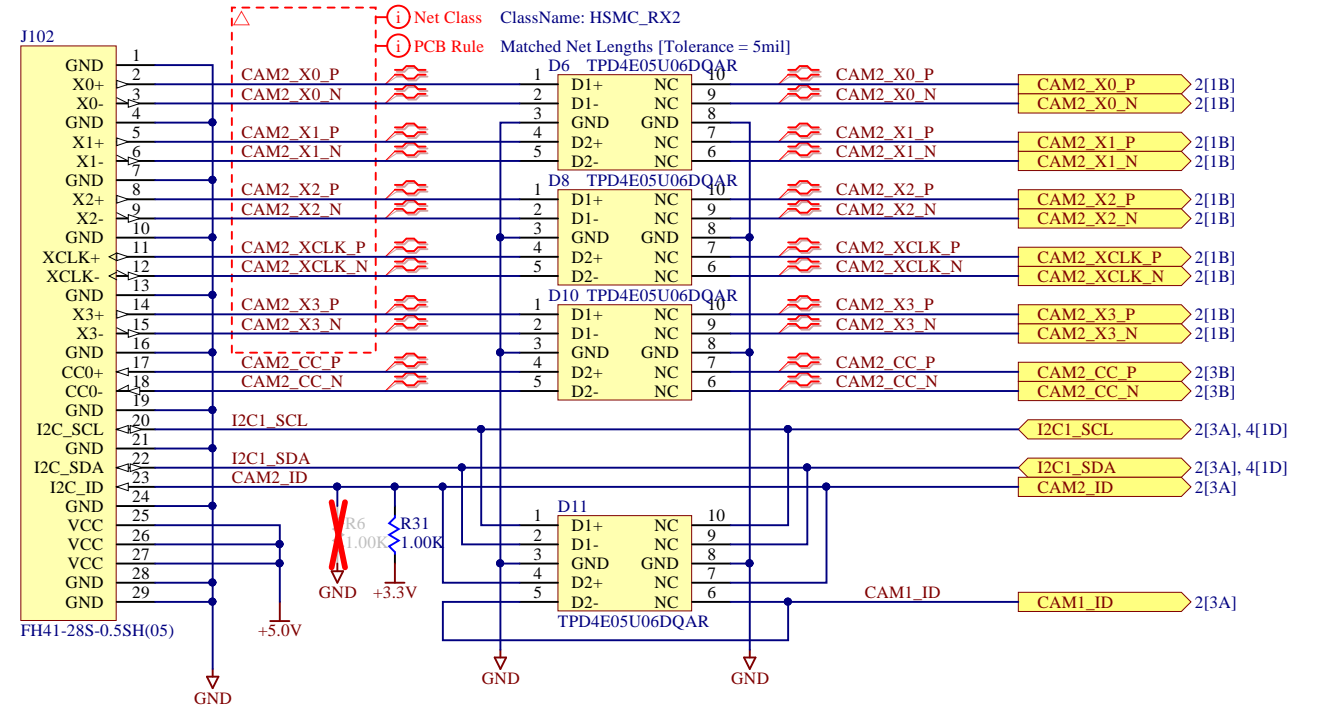
Gray = Expanded IO Signals: No Connects for MitySOM modules with FPGA DDR
Blue = High Speed Transceivers: Not available on 5CSE modules



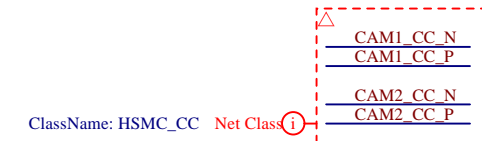
BCON LVDS #1

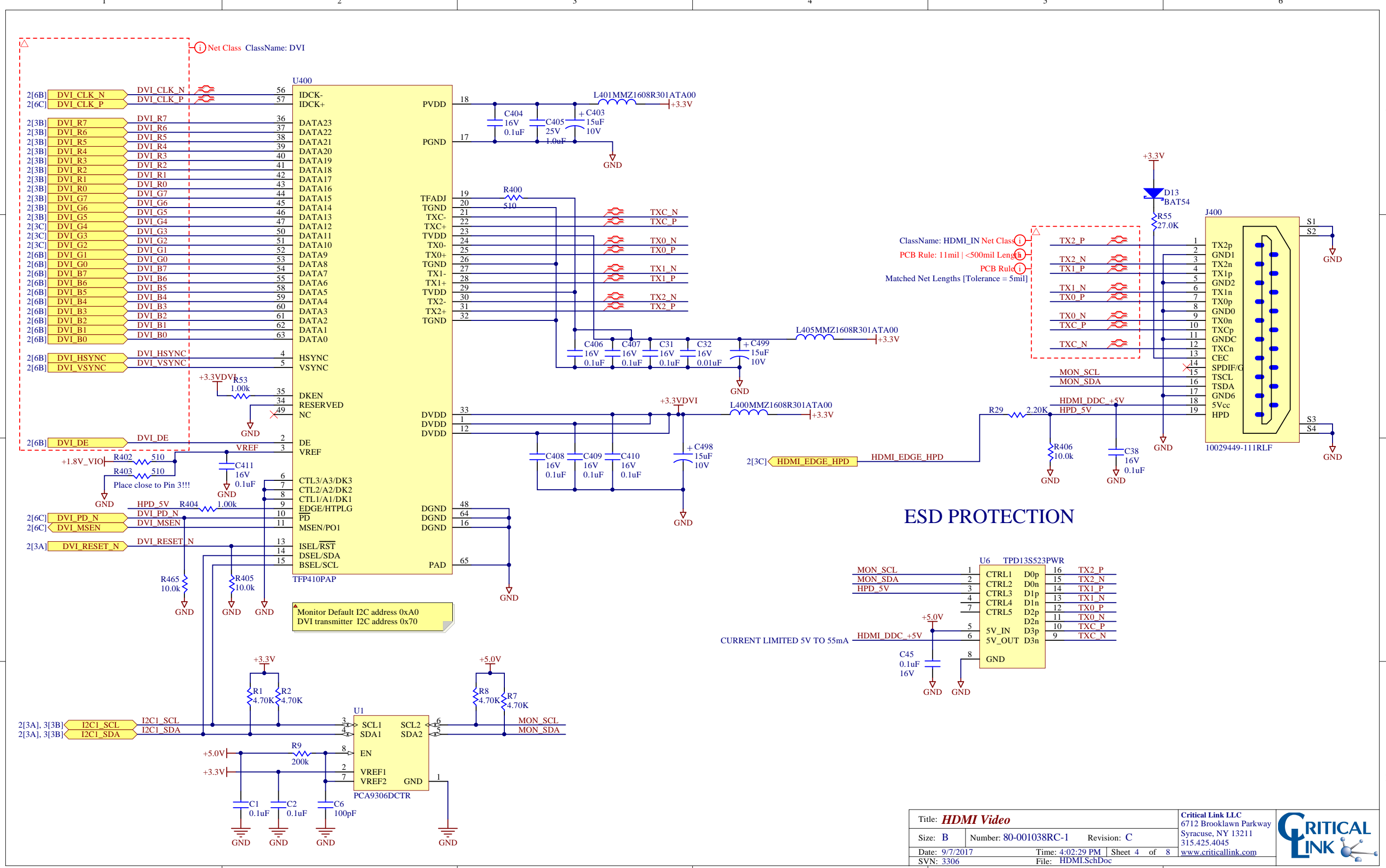


BCON LVDS #2



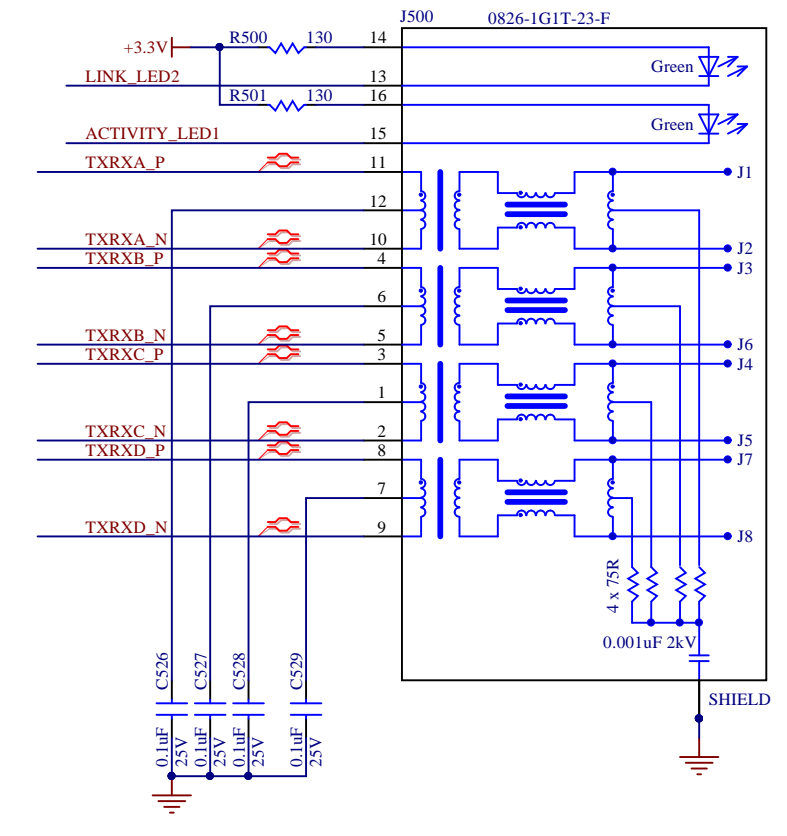
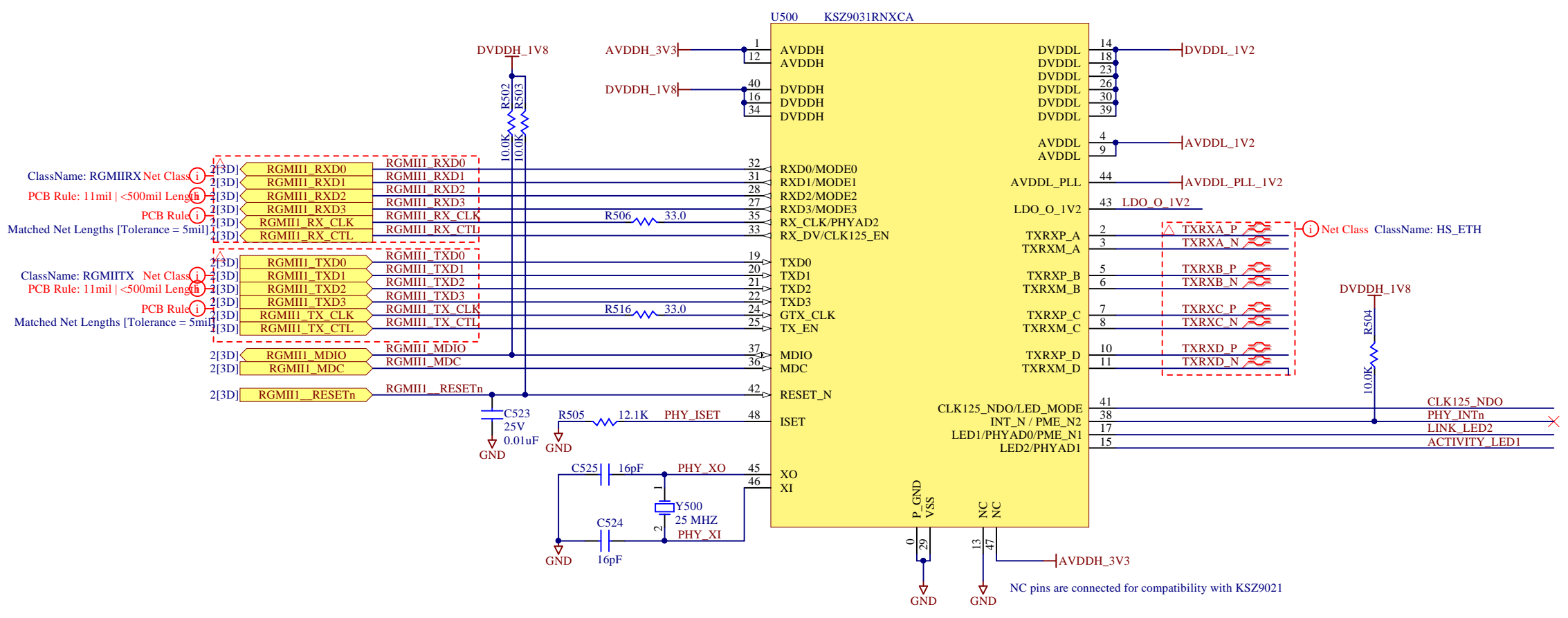
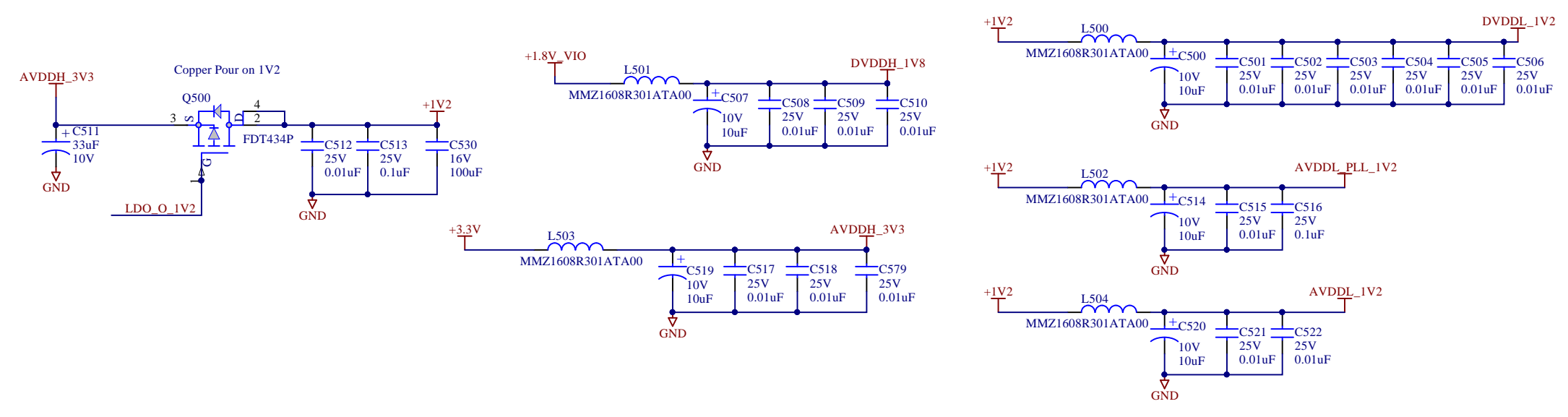
CAM_ID: 0x3C if '0' or 0x3D if '1'



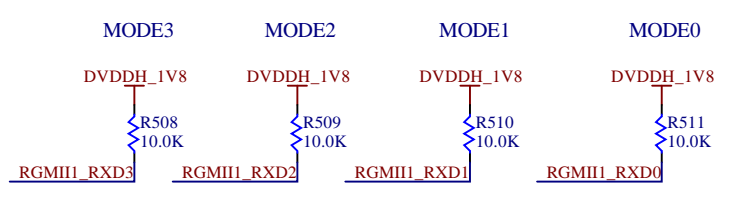


	1.2V Core (DVDDL, AVDDL, AVDDL_PLL)	2.5V Transceiver (AVDDH, commercial temp only)	3.3V Transceiver (AVDDH)	1.8V Digital I/Os (DVDDH)	Total Chip Power
	mA	mA	mA	mA	mW
1000Base-T link-up (no traffic)	210	58.8	67.8	11.2	419 / 494
1000Base-T full-duplex @ 100% utilization	221	57.9	66.3	23.6	452 / 526
100Base-TX link-up (no traffic)	63.6	24.9	28.7	8.4	154 / 186
100Base-TX full-duplex @ 100% utilization	63.8	24.9	28.6	9.8	156 / 189

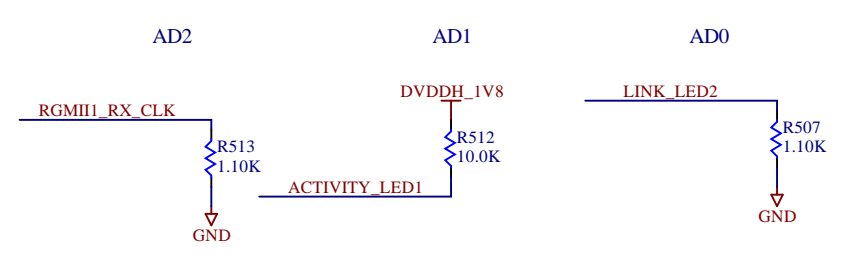
Ethernet



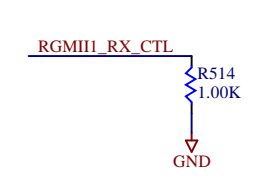
PHY Mode (Default: 1111): Advertise all capabilities



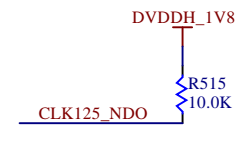
PHY Address (00XXX, Default: 00010)



125 MHz CLK OUT (DISABLE)

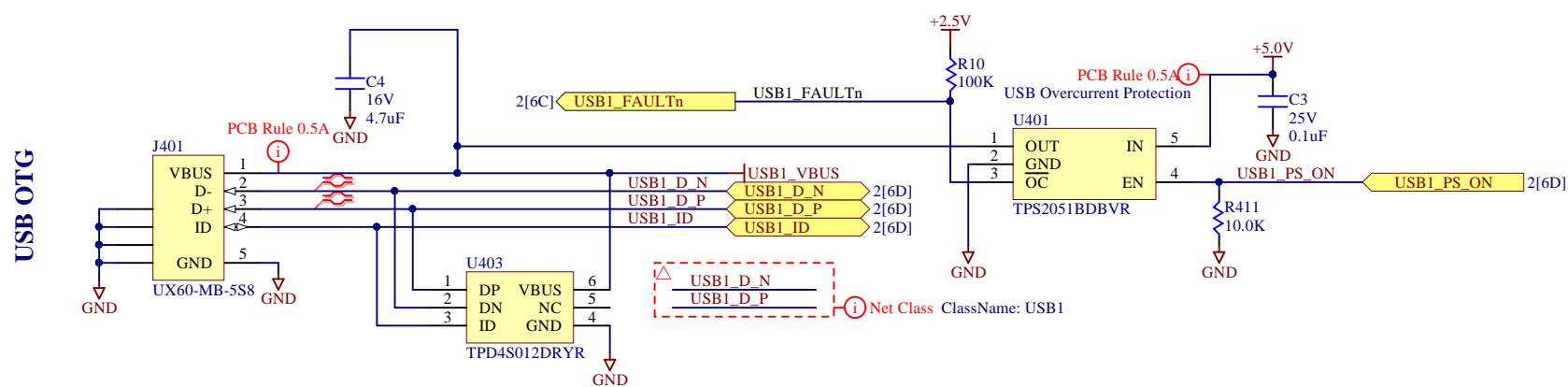


Single-Color-LED Mode

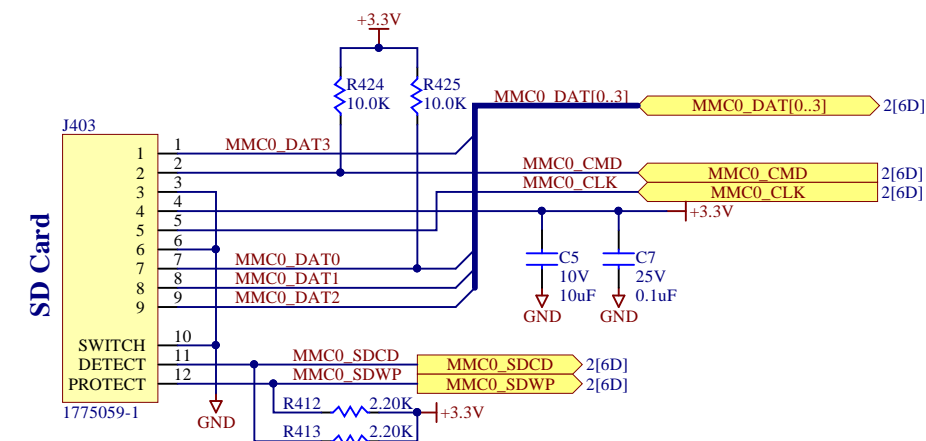


Interfaces

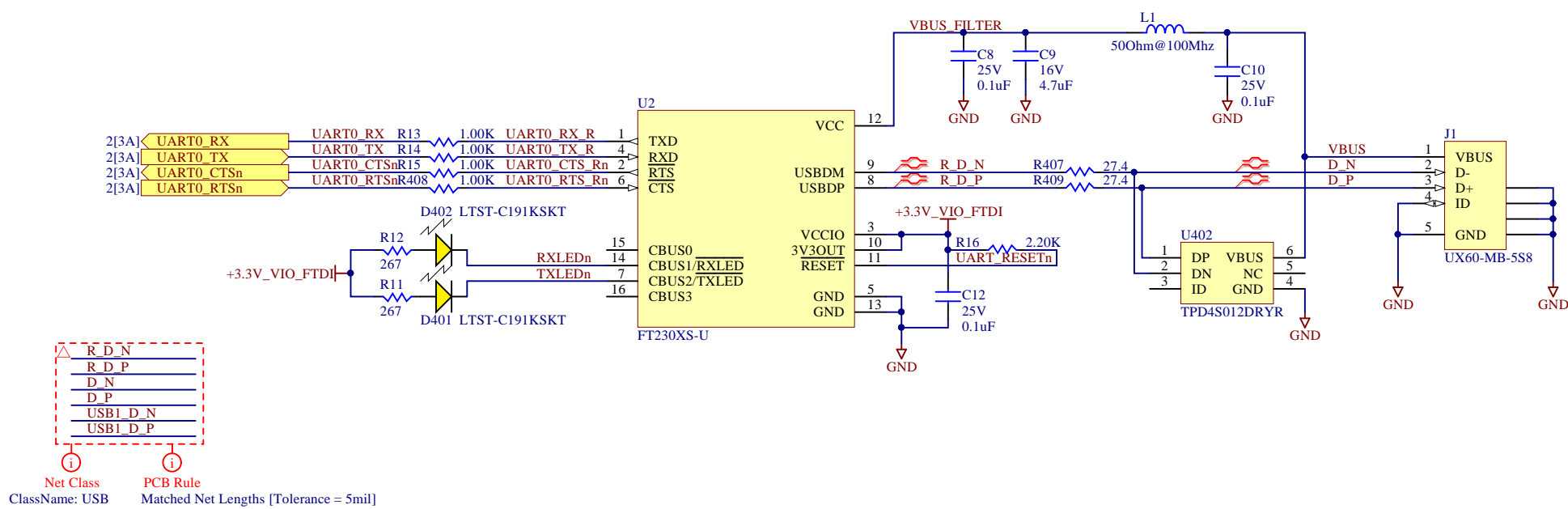
USB OTG



SD 4 Bit Mode

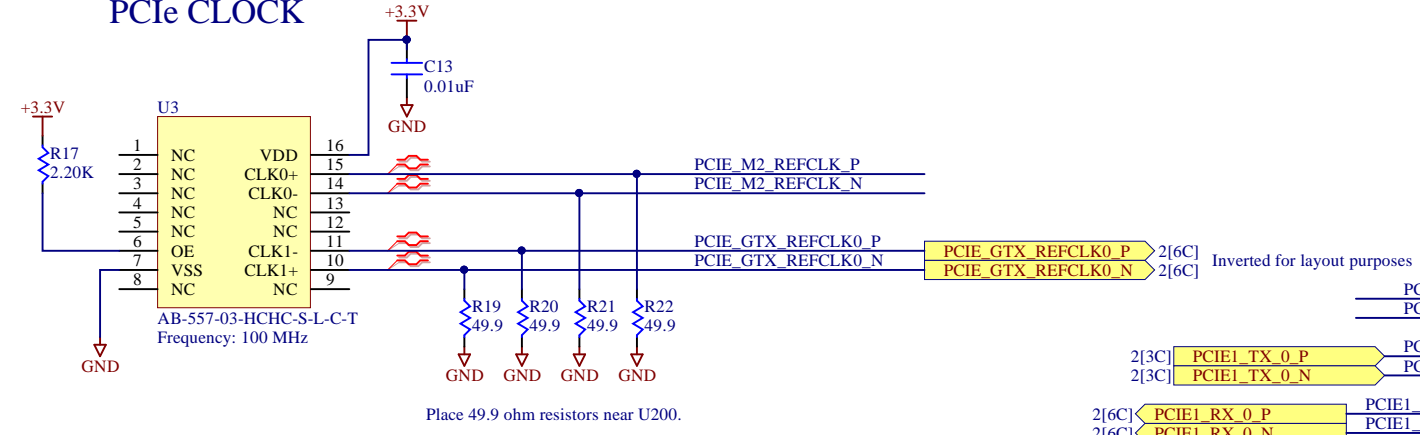


USB to Serial Interface (DEBUG IF)

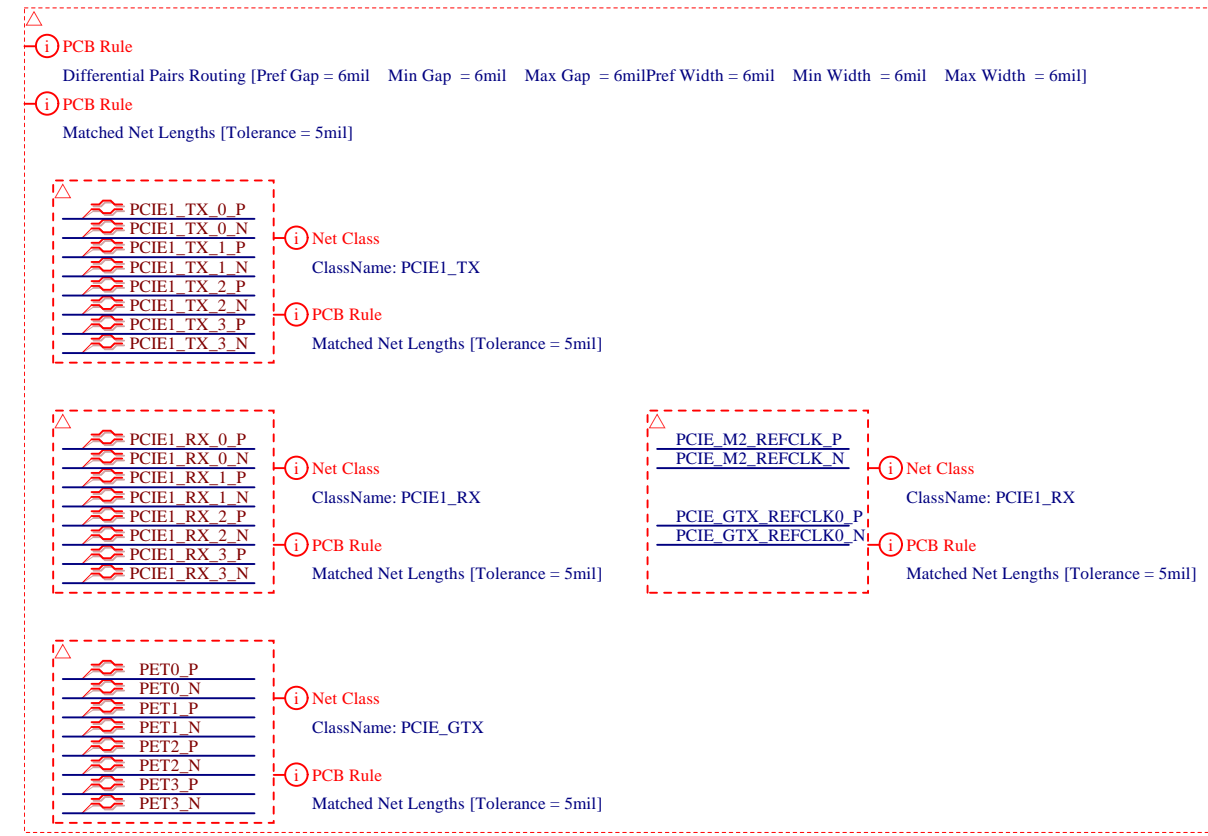
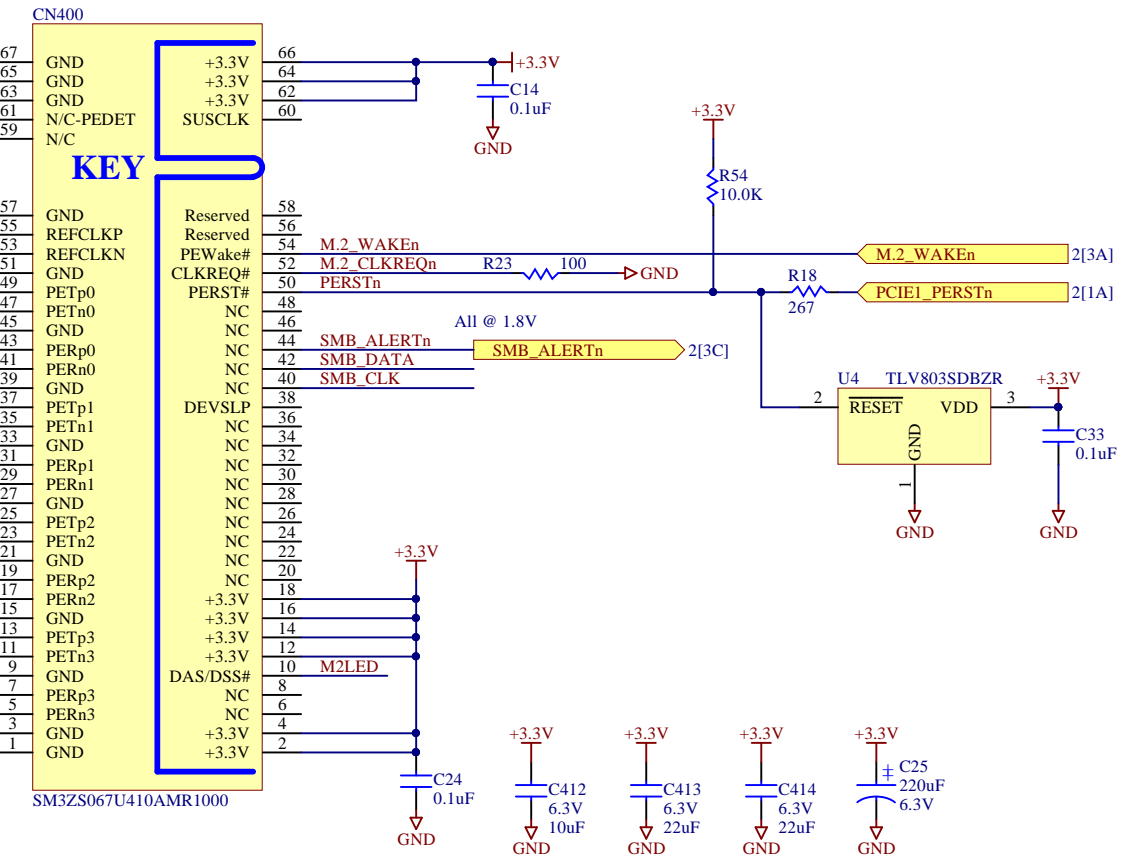
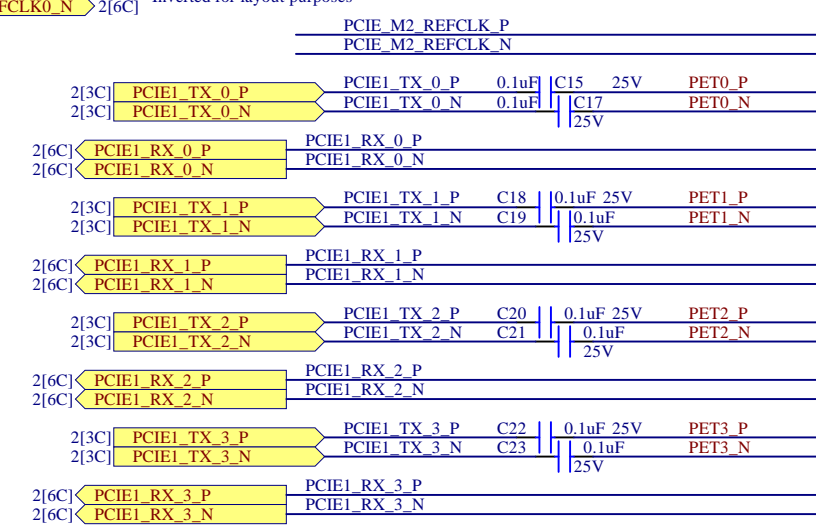
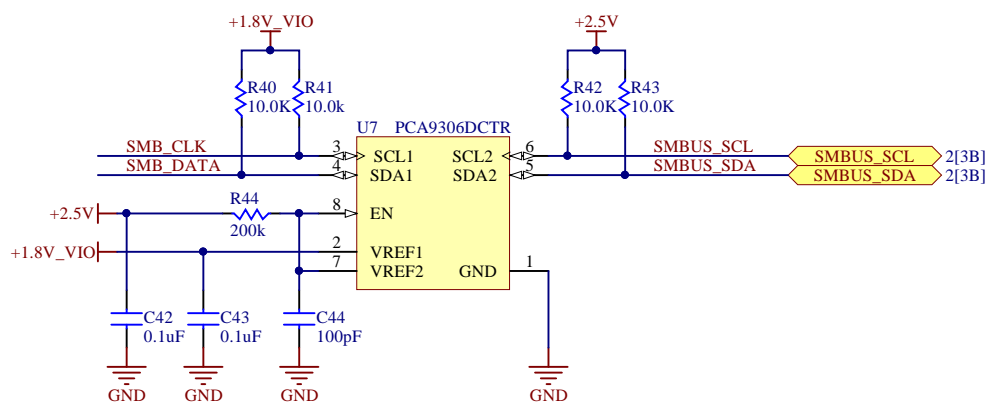


M.2 PCIe SSD

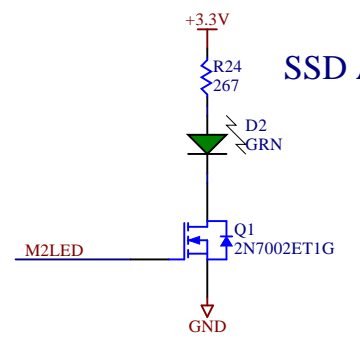
PCIe CLOCK



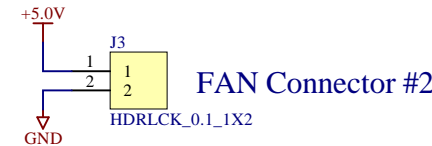
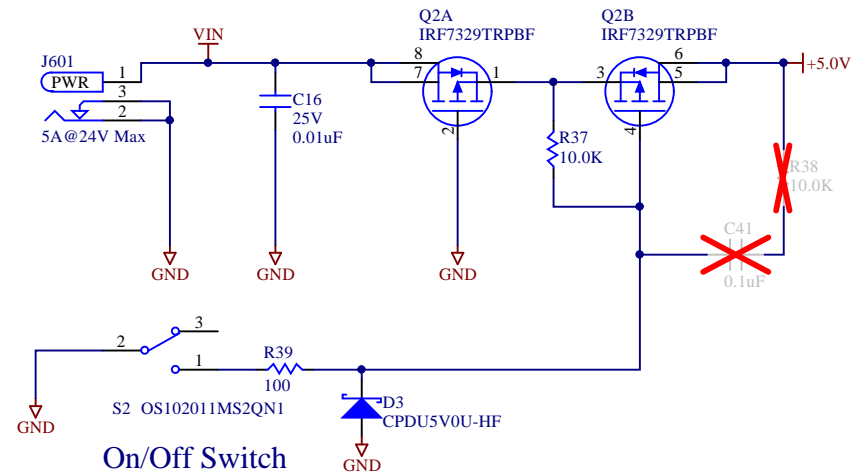
SMBus Level Translator



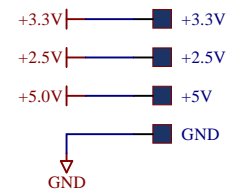
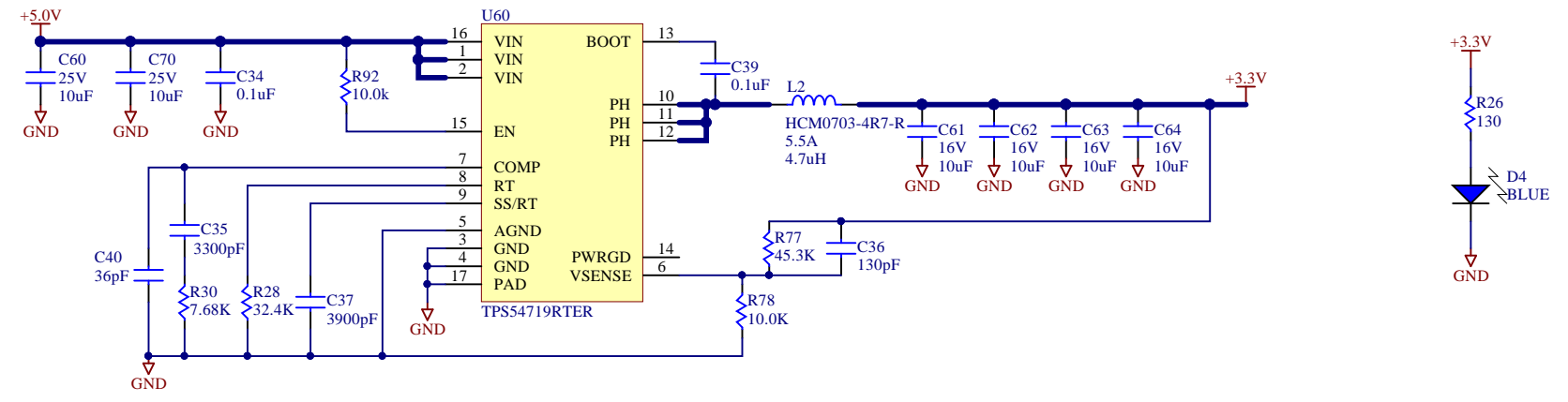
SSD Activity LED



**Power Input Connector
+5V@3Amp**



3.3V @ 4.0A, 90% EFFICIENT



2.5V @ 2.0A, 90% EFFICIENT

